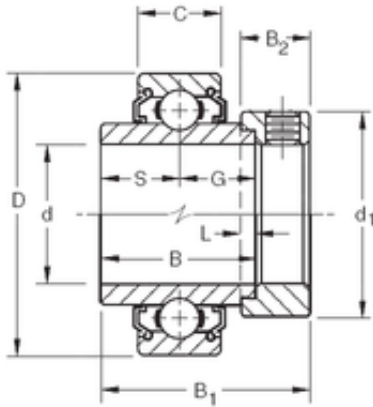




# Shandong Tai Shi Te Bearing Co., Ltd.

## 30,1625 mm x 62 mm x 36,51 mm TIMKEN 1103KLL Insert Bearings Cylindrical OD



Bearing No. 1103KLL

Size	30.1625x62x36.51 mm
Bore Diameter	30,1625 mm
Outer Diameter	62 mm
Width	36,51 mm
d	30,1625 mm
D	62 mm
B	36,51 mm
C	16(1) mm
d1	44,1 mm
B1	48,42 mm
B2	15,88 mm
G	18,26 mm
L	3,97 mm
S	18,26 mm
Weight	0,372 Kg
Basic dynamic load rating (C)	21,8 kN

1103KLL Bearing 2D drawings and 3D CAD models